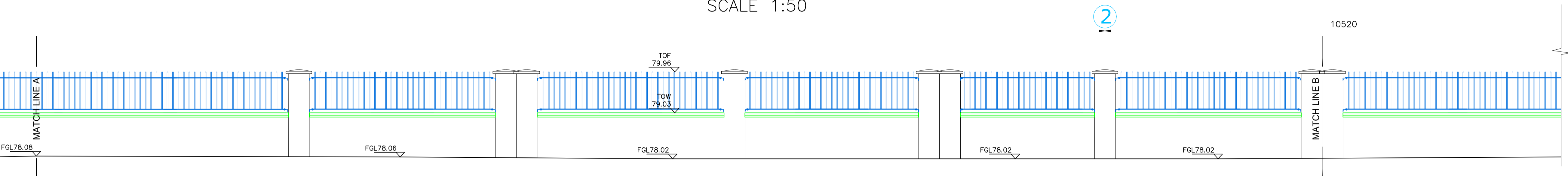
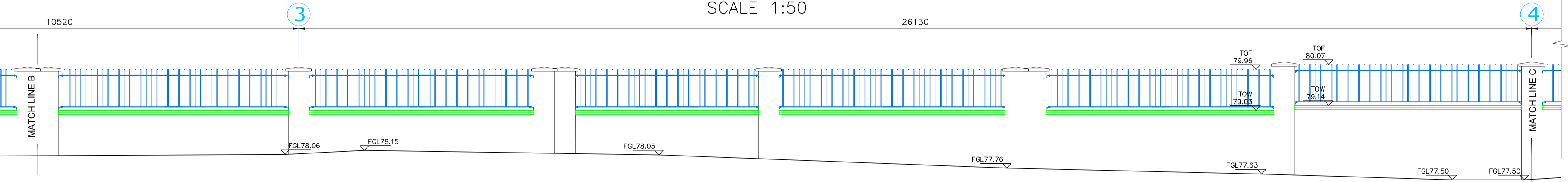


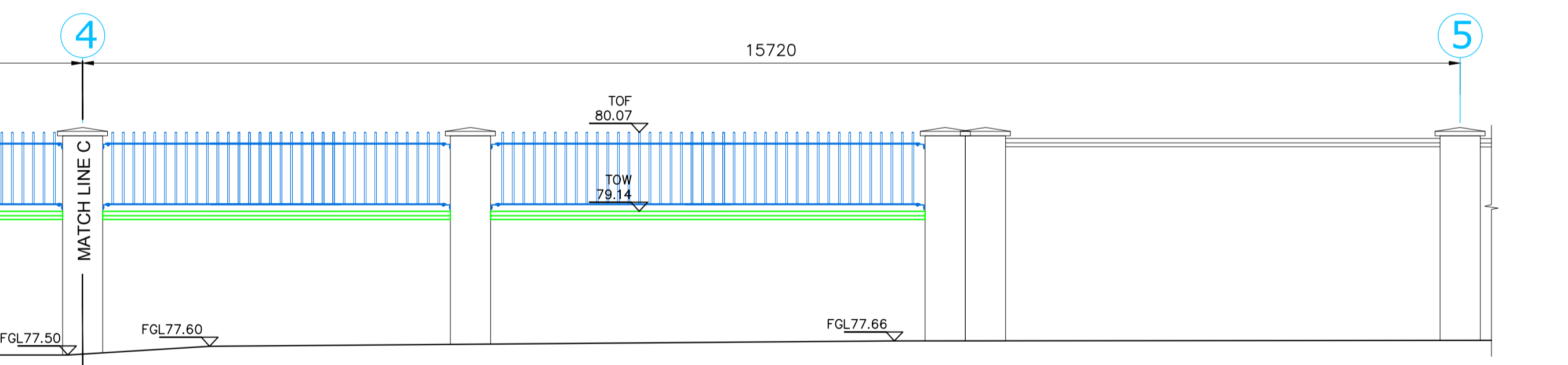
ELEVATION
SCALE 1:50



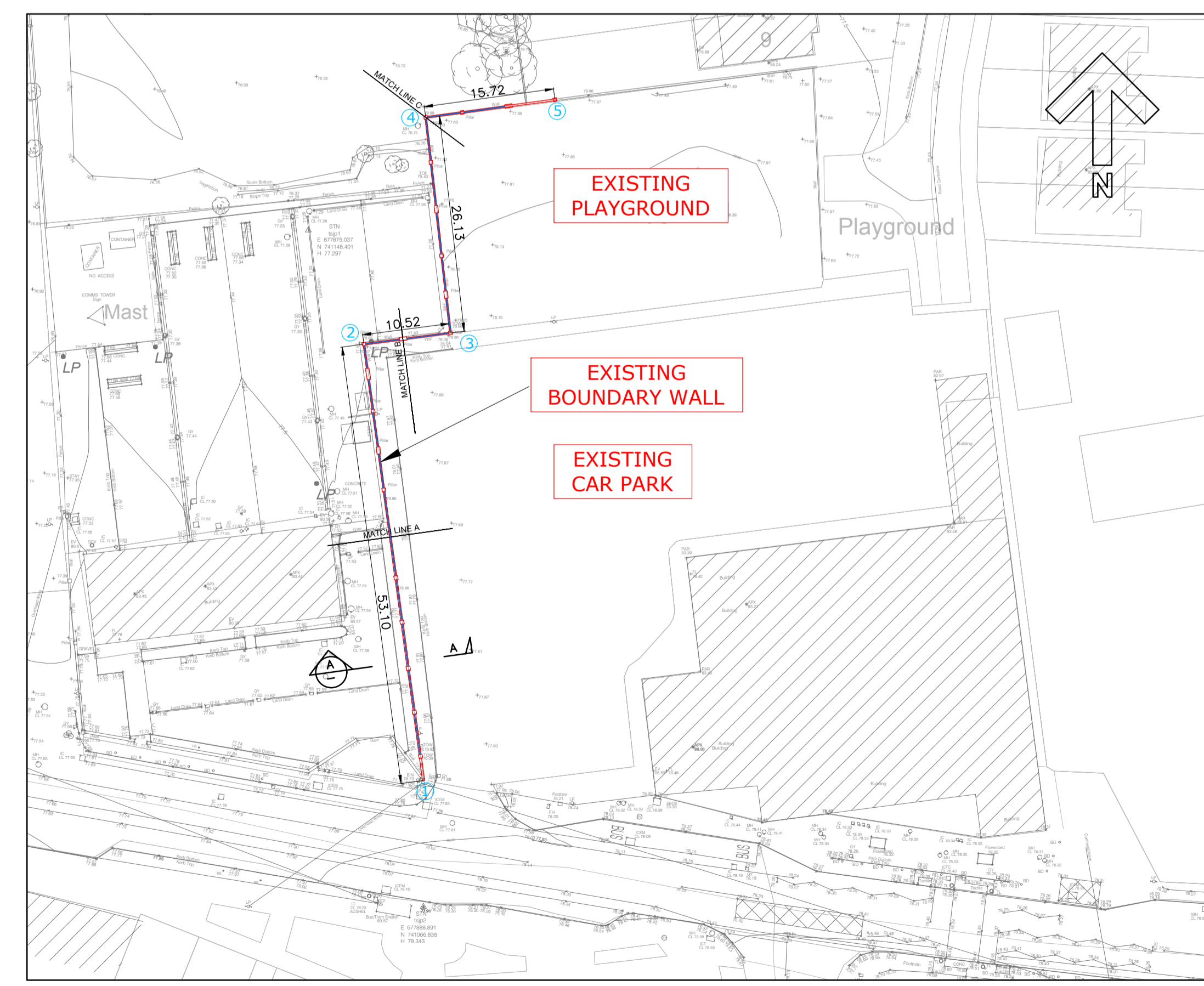
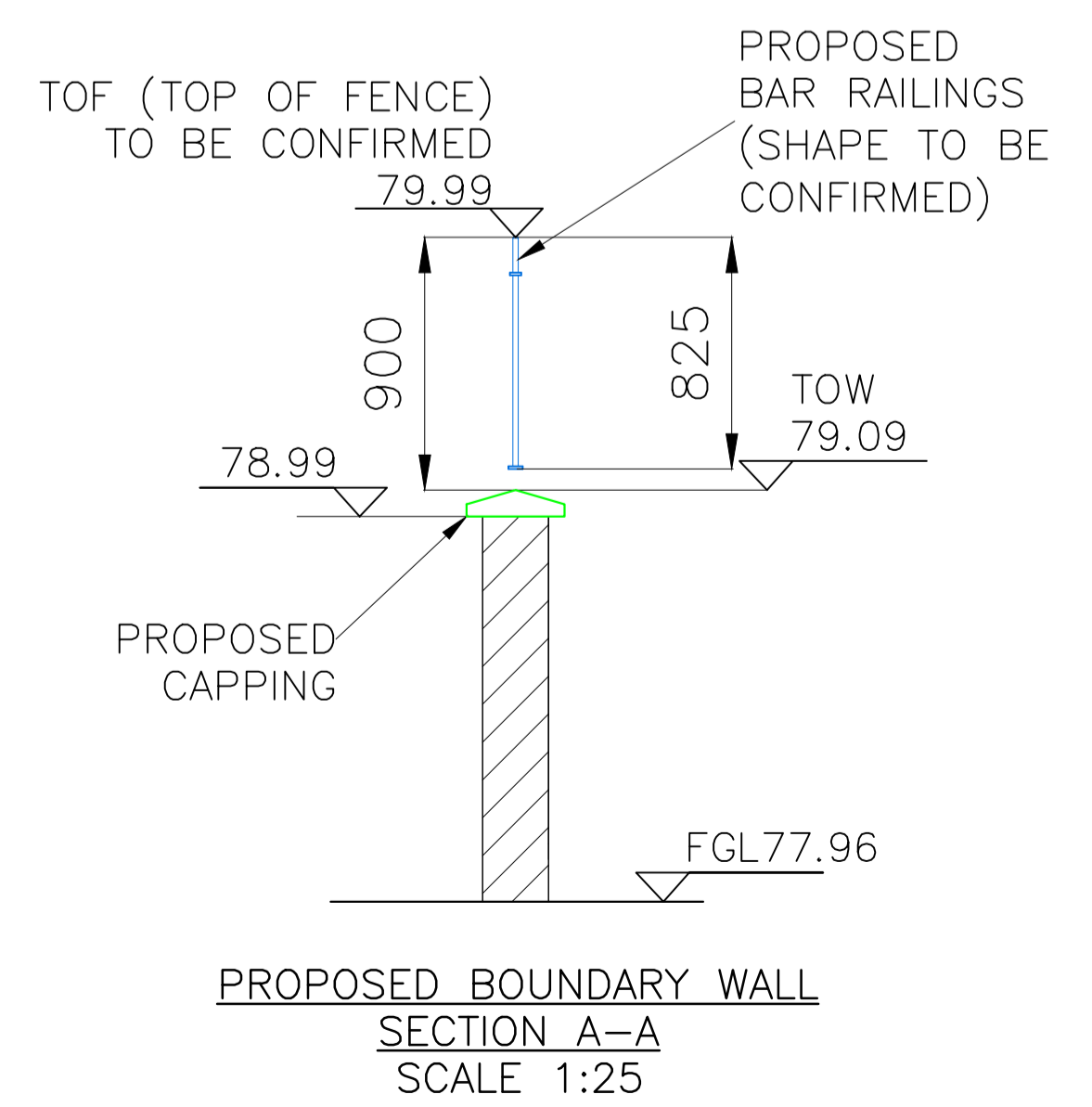
ELEVATION
SCALE 1:50



ELEVATION
SCALE 1:50



ELEVATION
SCALE 1:50



KEY PLAN
SCALE 1:500

revision details		
A	05/09/23	ISSUED FOR INFORMATION
B	11/09/23	ISSUED FOR PART 8 APPLICATION

THIS DRAWING IS TO BE
READ IN CONJUNCTION WITH
ALL OTHER DCE DRAWINGS



Second Floor, Avenue Road Centre
Dundalk, Co. Louth, A91 FT92 Ireland
Tel. : +353 42 935 1600
Fax : +353 42 935 1601
E-mail : info@dce.ie
Web : www.dce.ie

Client:
MEATH COUNTY COUNCIL



Job Title:
ENFIELD - TOWN CENTRE PARKING

Drawing Title:
PROPOSED BOUNDARY WALL

Scale: AS SHOWN @ A1 Dwg no: C10

Drawn by: KK Job no.: 4456

Checked by: GJB Rev. no.: B

File no.: 4456 C10 Date: 05/09/23

This document is the property of Duffy Chartered Engineers IRL. The design information contained herein is strictly confidential. This document is not to be used, reproduced, disclosed or circulated, in whole or in part, without the prior written permission in each instance of Duffy Chartered Engineers IRL.
Duffy Chartered Engineers IRL, Registered Office: Jocelyn House, Jocelyn St., Dundalk, Co. Louth, Ireland. Registered in Ireland No. 974901. Directors: G.J. Barron, T. McGuinness. VAT No. IE 34016025H